

ENGINEERED WOOD STRUCTURES

JOB NUMBER: W0019
 JOB NAME: NEGAUNEE RIVERS FIELD
 JOB LOCATION: NEGAUNEE, MI 49866

REVISION: _____



1455 Lincoln Avenue
 Holland, MI 49423
 (800) 748-0985
 (616) 396-0909
 www.eng-woods.com

Cover Sheet

TABLE OF CONTENTS

- 1.0 Cover Sheet
- 2.0 Elevation
- 3.0 Anchor Bolt Layout
- 4.0 Frame Layout
- 5.0 Frame Connections
- 6.0- 6.1 T&G Roof Layout
- 7.0 Multi Rib Roof Layout
- 8.0- 8.4 Roof Connections

DESIGN LOADS

CODE: 2012 INTERNATIONAL BUILDING CODE

TOTAL DEAD: 21.38 P.S.F.
 FRAME DEAD: 11.38 P.S.F.
 ROOF DEAD: 3.50 P.S.F.
 COLLATERAL DEAD: 6.50 P.S.F.
 ROOF LIVE LOAD: 20.00 P.S.F.
 GROUND SNOW LOAD: 70.00 P.S.F.
 ROOF SNOW LOAD: 58.80 P.S.F.
 WIND SPEED: 115.00 M.P.H.
 EXPOSURE: C
 SEISMIC USE GROUP: I
 SEISMIC SITE CLASS: D
 SEISMIC DESIGN CATEGORY: A
 SEISMIC ANALYSIS: SIMPLIFIED



NOTES

MATERIALS	(ASTM DESIGNATION)	
TUBE STEEL (HSS HOLLOW STRUCTURAL SECTION)	A- 500 GRADE B	N/A
WIDE FLANGE SECTIONS	A- 992	N/A
STRUCTURAL STEEL PLATE	A- 572	
ROOF PANELS (STEEL)	A- 446	N/A
ANCHOR BOLTS	F1554 GRADE 36	N/A
CONNECTION BOLTS	A- 307	

IF THESE DRAWINGS ARE SEALED, THE SEAL APPLIES ONLY TO THE MATERIALS SUPPLIED ENGINEERED WOOD STRUCTURES INC. AND IS NOT INTENDED AS THE SEAL OF THE ENGINEER OF RECORD FOR THE ENTIRE PROJECT.

DUE TO STANDARDIZED FABRICATION PARTS SHOWN MAY BE UPGRADED. REFER TO THE SHIPPING BILL OF MATERIALS FOR POSSIBLE SUBSTITUTIONS.

ENGINEERED WOOD STRUCTURES INC. RECOMMENDS THAT THE PRIMARY FRAMING INSTALLER AND THE ROOF INSTALLER HAVE A MINIMUM OF FIVE (5) YEARS OF DOCUMENTED EXPERIENCE INSTALLING THIS TYPE OF PRODUCT.

IT IS THE RESPONSIBILITY OF THE INSTALLER TO INSURE PROPER TIGHTNESS.

PROPER ERECTION OF THE FRAMING MEMBERS REQUIRES THE MAIN COLUMNS TO BE PLUMB & SQUARE.

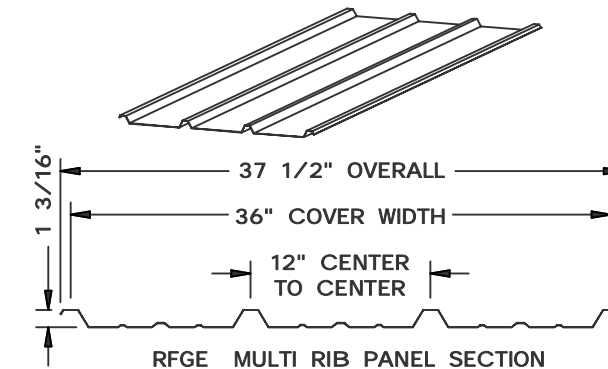
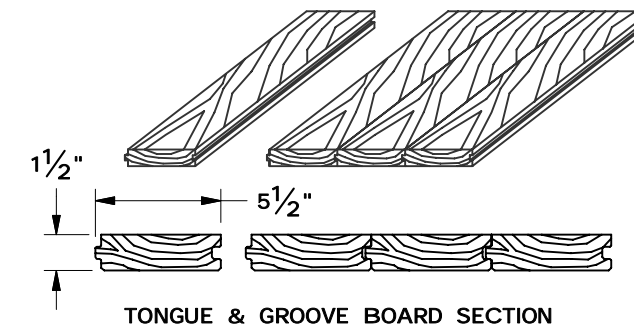
GLULAM NOTES:
 STORAGE AND HANDLING OF GLULAM'S SHALL OCCUR ACCORDING TO THE GUIDELINES PUT FORTH IN AITC 111.
 MEMBERS WILL BE WRAPPED ACCORDING TO FABRICATION DRAWINGS.

STANDARD GLU- LAM IS 24F- V3 UNLESS OTHERWISE NOTED

TONGUE AND GROOVE HEAVY TIMBER DECKING NOTES:
 THE PRACTICES SET FORTH WITHIN AITC A112 SHALL BE FOLLOWED.
 2"X6" NOMINAL V- JOINT PATTERN DECKING SHALL BE USED.
 MAX MOISTURE CONTENT OF 15%
 THE TONGUE IS ALWAYS INSTALLED FACING UP THE SLOPE, WITH THE PATTERNED FACE EXPOSED TO THE UNDERSIDE.
 LOADING PRODUCED BY WIND FORCES ASSUMED TO TRANSFER BY DIAPHRAGM ACTION.

SPECIAL INSPECTIONS ARE NOT REQUIRED.

ROOF



DRAWN BY:

llsam

DATE:

4/19/2017

JOB NO.:

W0019

REVISION:

BUILDING TYPE:

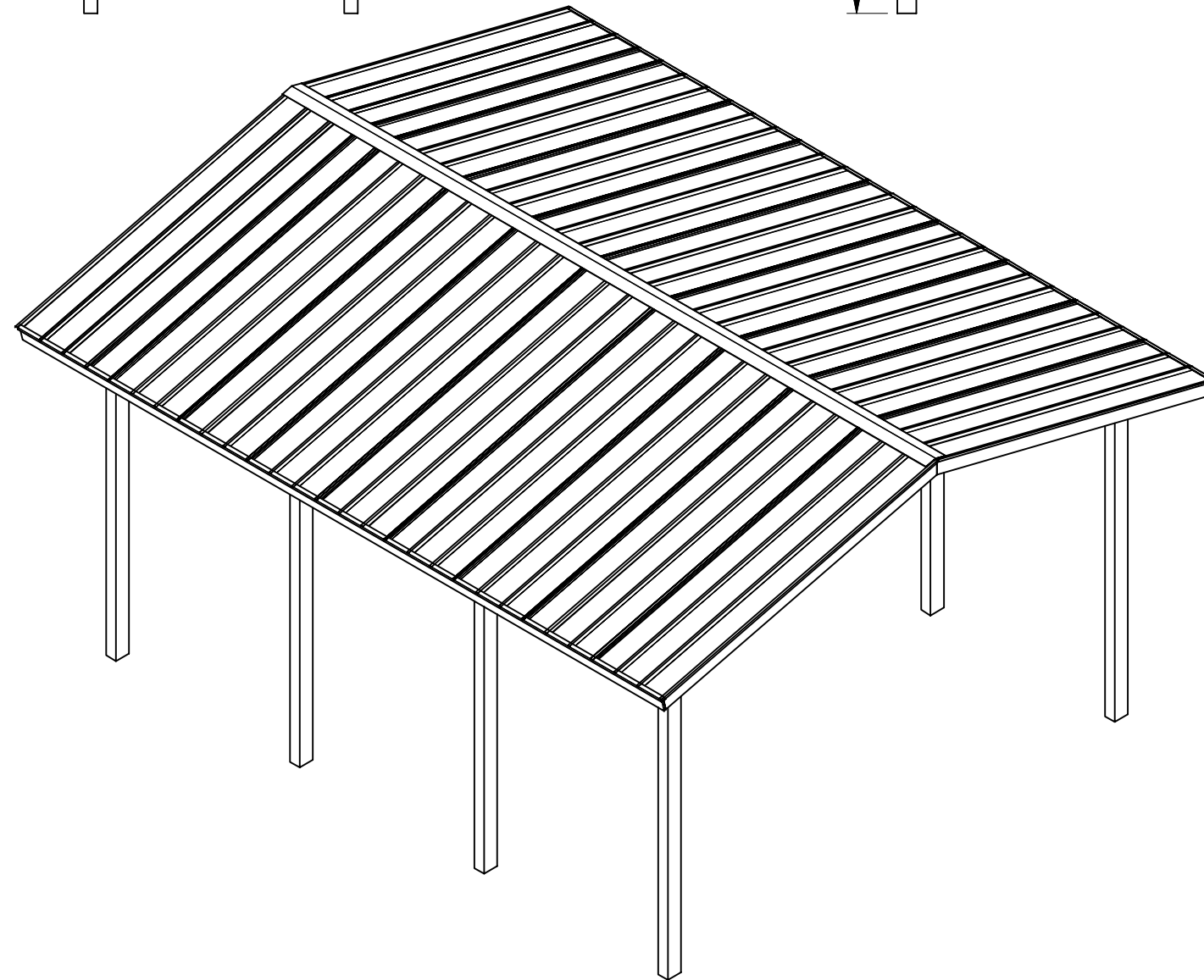
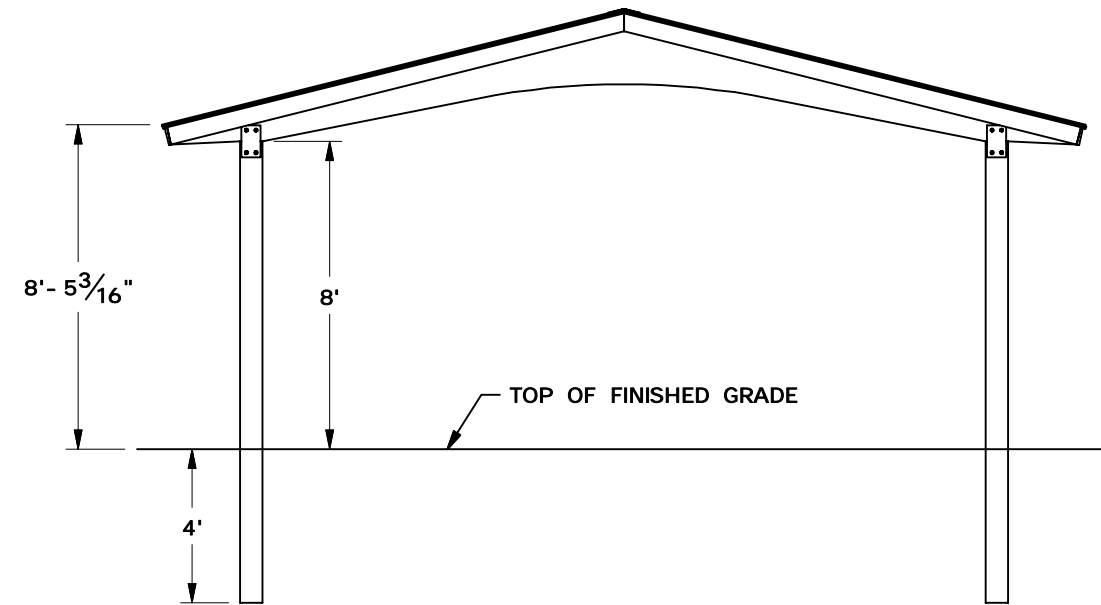
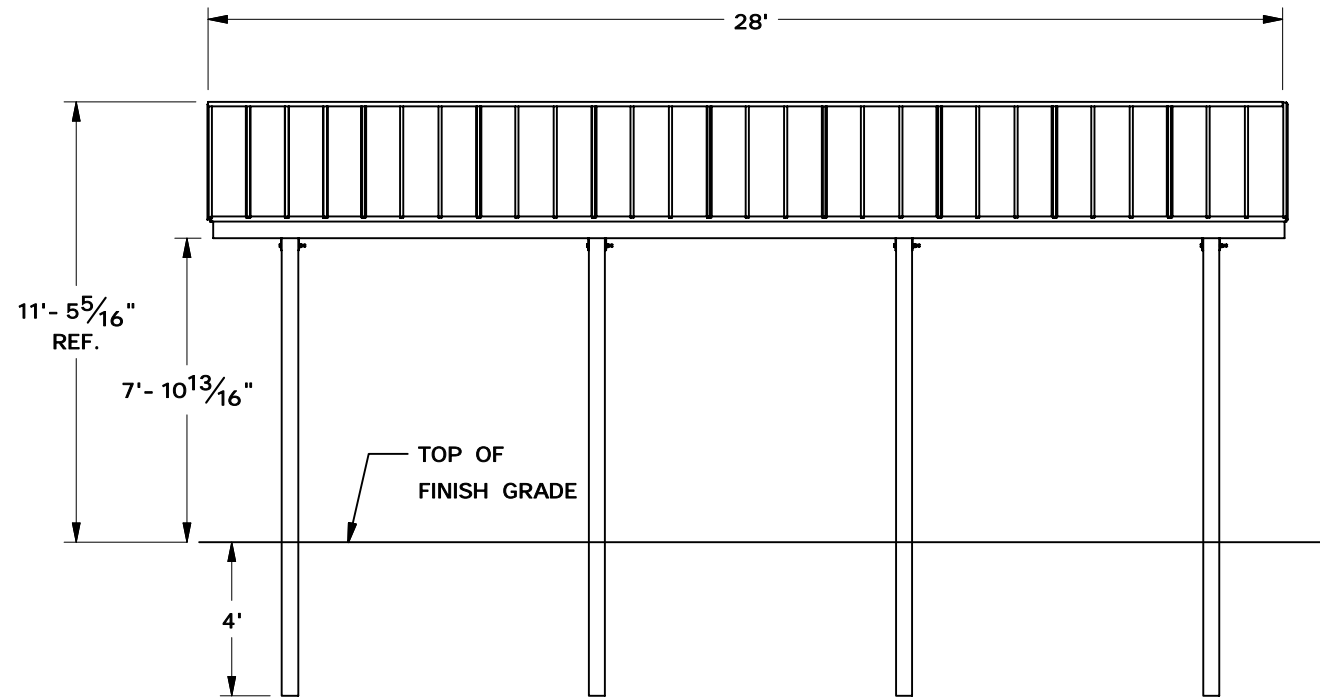
WLP24X28TM- P3

PROJECT NAME:

Negaunee Rivers Field
 Negaunee, MI

SHEET

1.0



Elevation

DRAWN BY:

ljsam

DATE:

7/20/2017

JOB NO.:

W0019

REVISION:

BUILDING TYPE:

WLP24X28TM- P3

PROJECT NAME:

Negaunee Rivers Field
Negaunee, MI

SHEET

2.0



Anchor Bolt Layout

DRAWN BY:

Ilisam

DATE:

JOB NO.:

W0019

REVISION:

BUILDING TYPE:

WLP24X28TM- P3

PROJECT NAME:

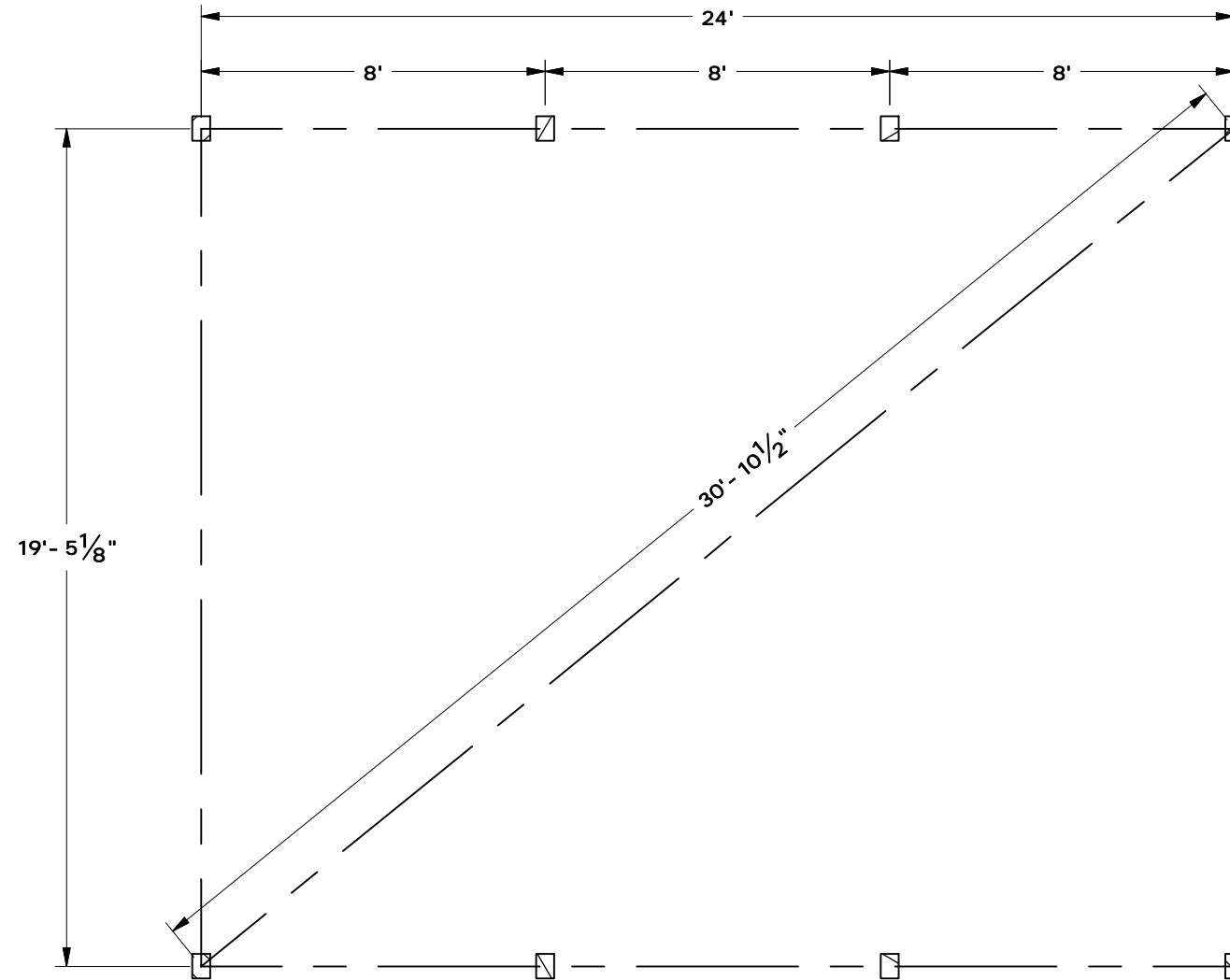
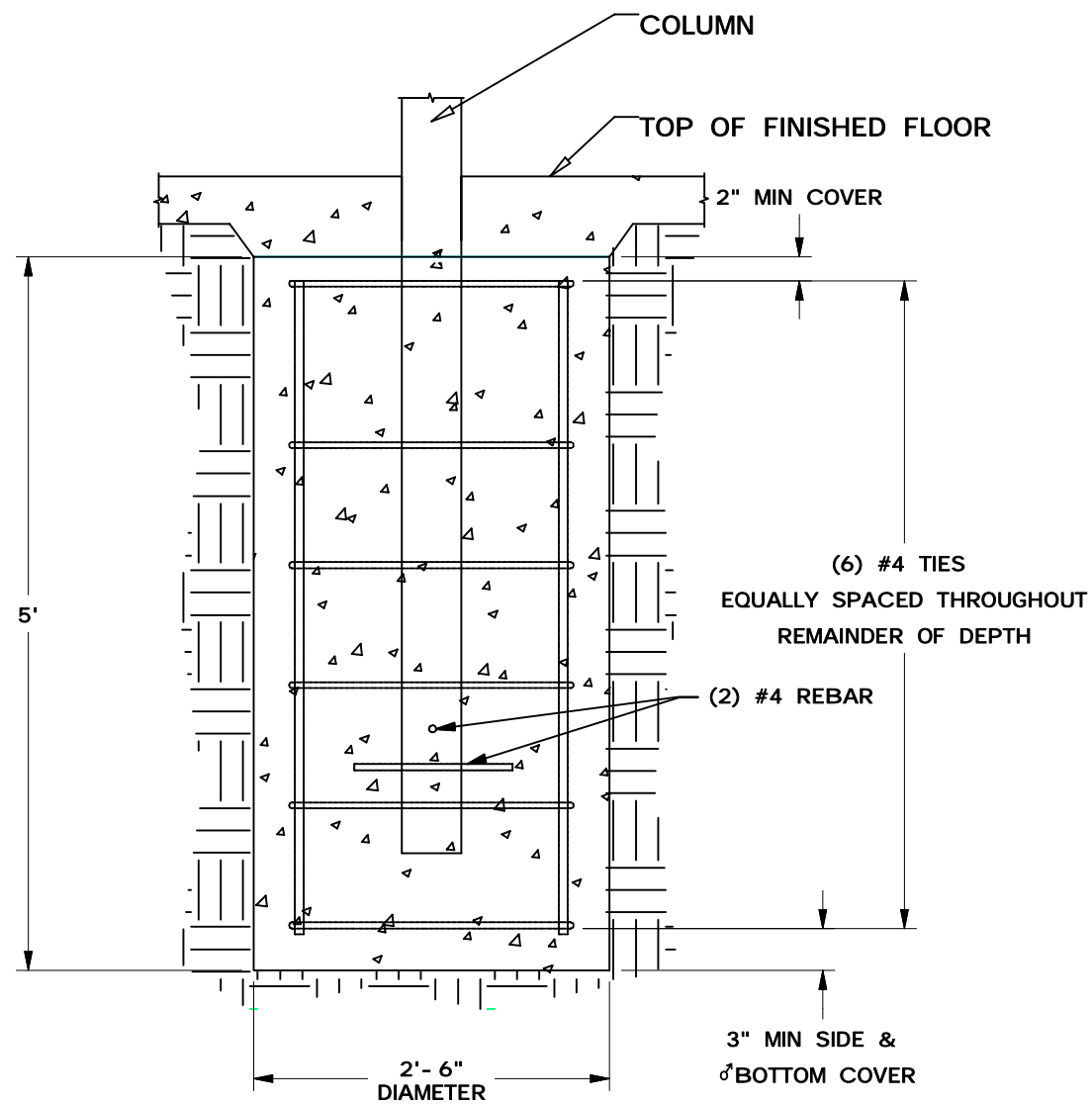
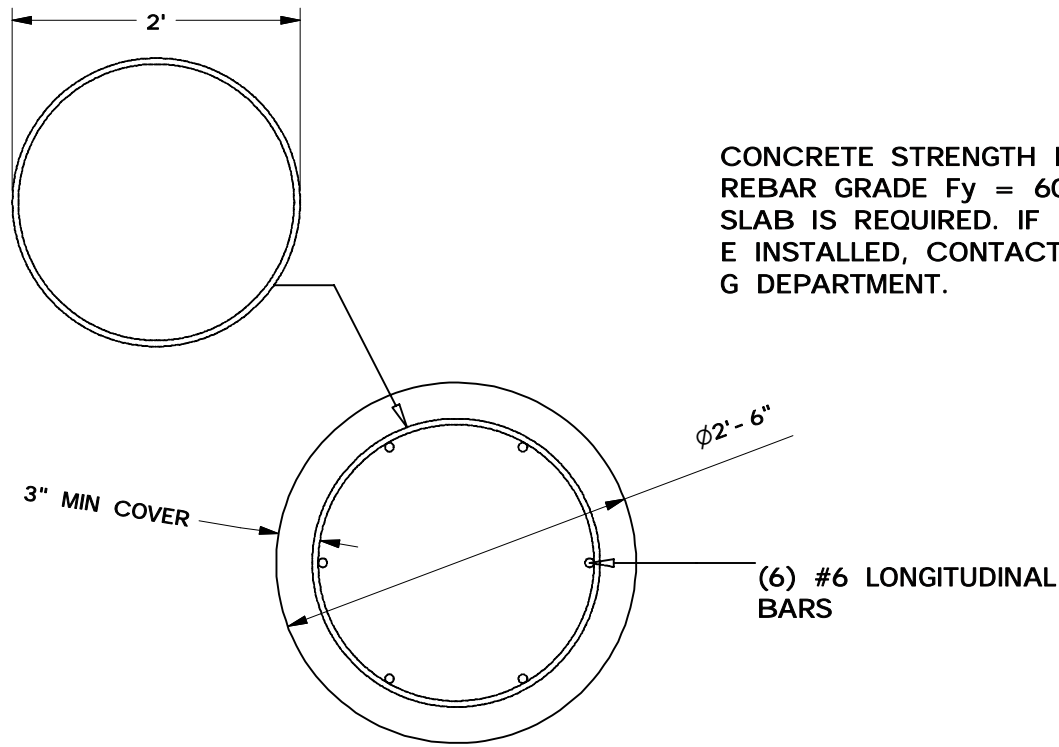
Negaunee Rivers Field
Negaunee, MI

SHEET

3.0

S:\Engineering\Inventor\EWS Structures\Jobs\W0019\anchor-layout.ipt

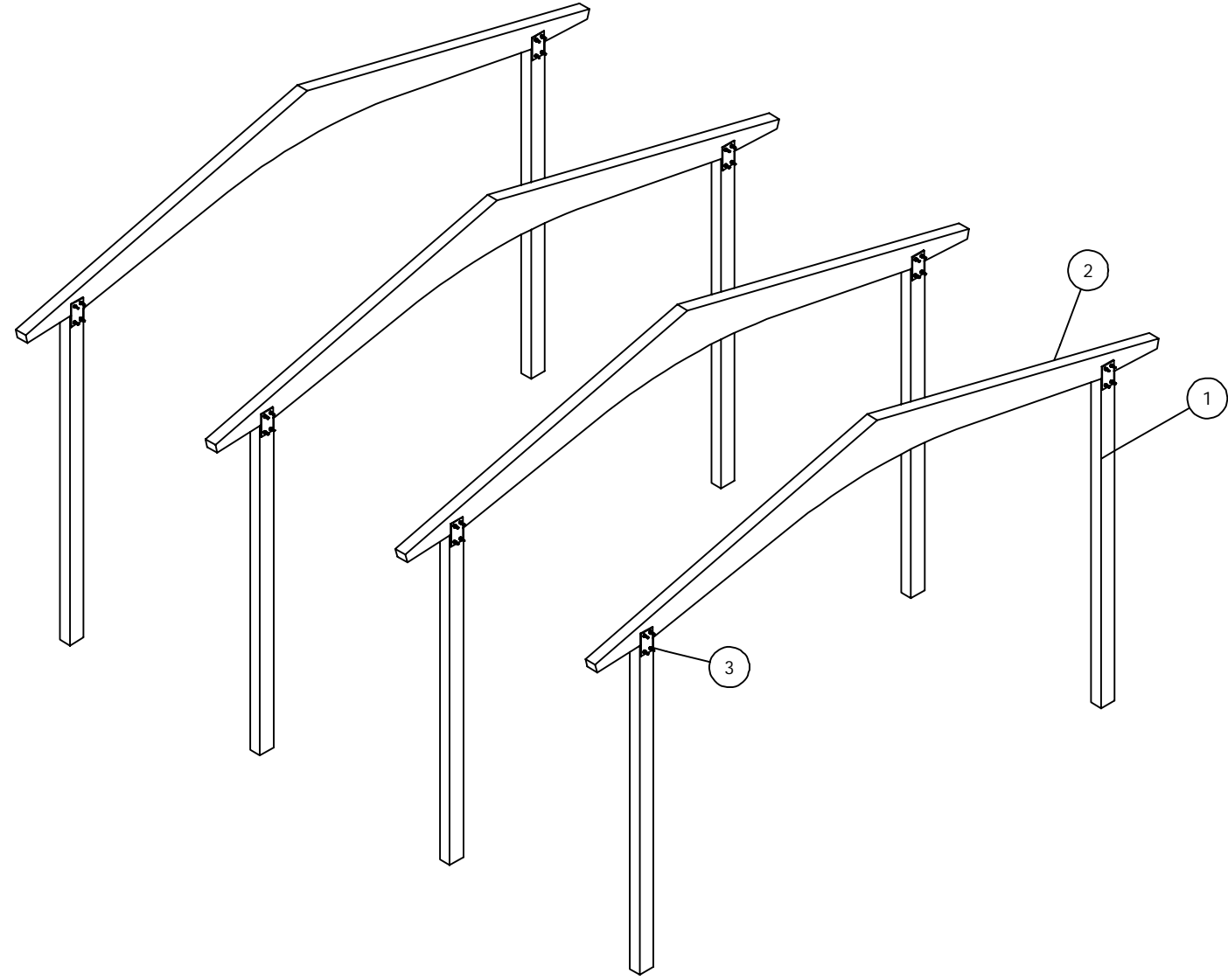
CONCRETE STRENGTH $F'_c = 2500$ PSI
REBAR GRADE $F_y = 60$ KSI
SLAB IS REQUIRED. IF NO SLAB IS TO BE
INSTALLED, CONTACT THE ICON ENGINEERING
DEPARTMENT.



1	4		LOW PITCH BEAM	349.7	24' PITCHED SYP BEAM
2	8		COLUMN	98.4	5"X6.875" ALASKAN YELLOW CEDAR
3	16		CONNECTION PLATE	3.6	1/4" HRF
ITEM	QTY	PART NUMBER	DESCRIPTION	MASS	STOCK



1455 Lincoln Avenue
Holland, MI 49423
(800) 748-0985
(616) 396-0909
www.eng-woods.com



Frame Layout

DRAWN BY:

lisam

DATE:

7/20/2017

JOB NO.:

W0019

REVISION:

BUILDING TYPE:

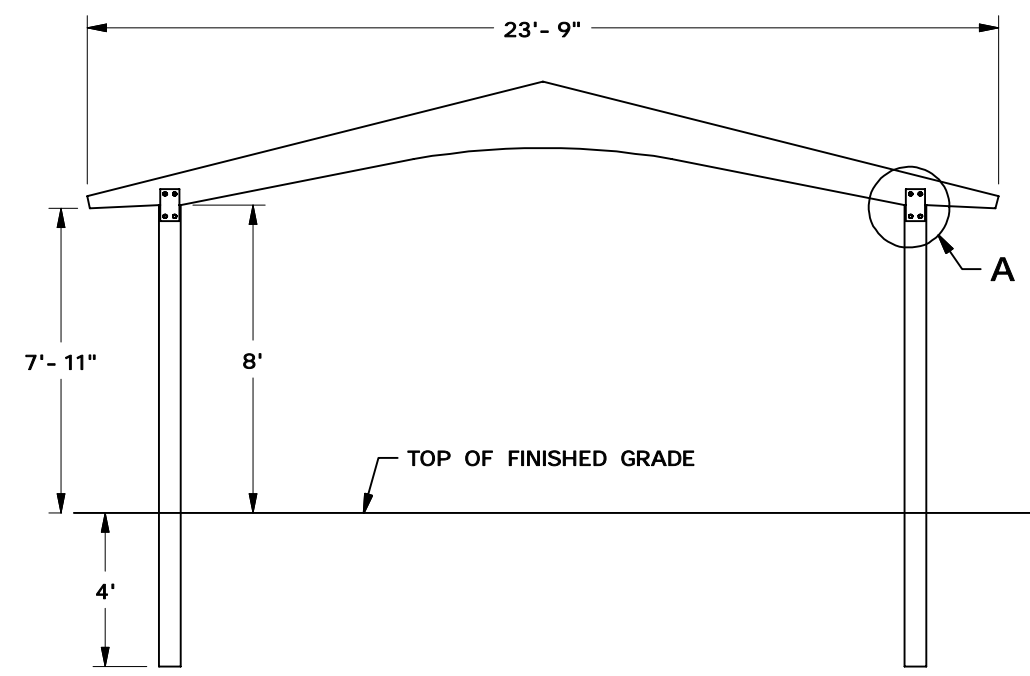
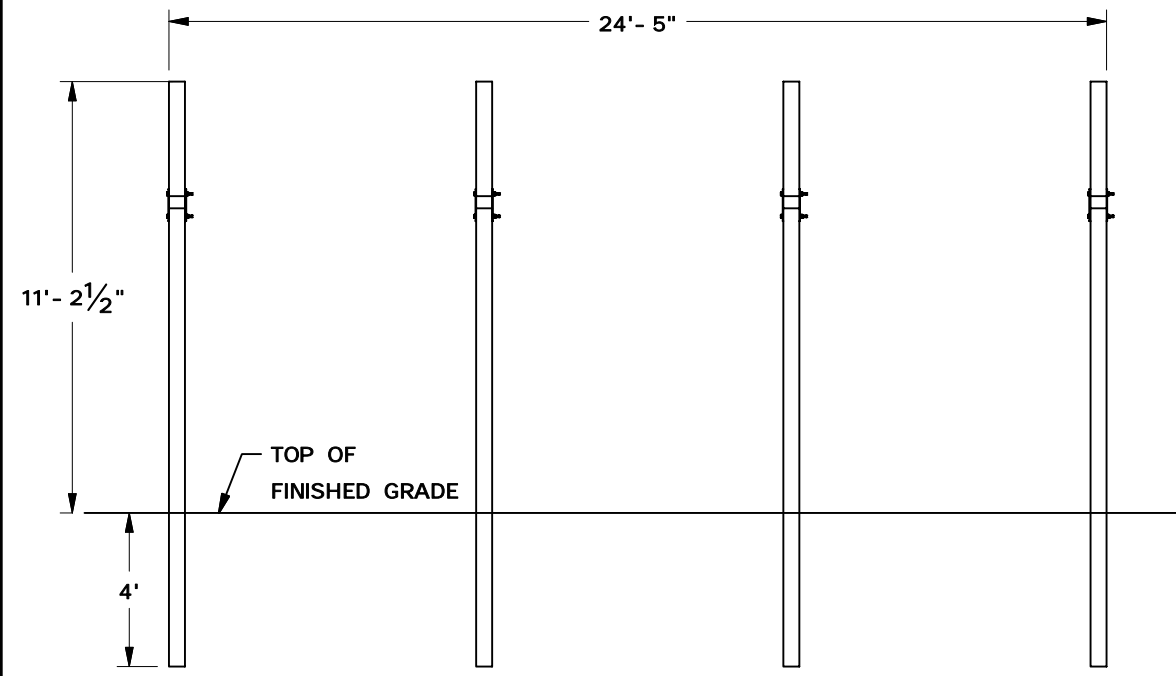
WLP24X28TM- P3

PROJECT NAME:

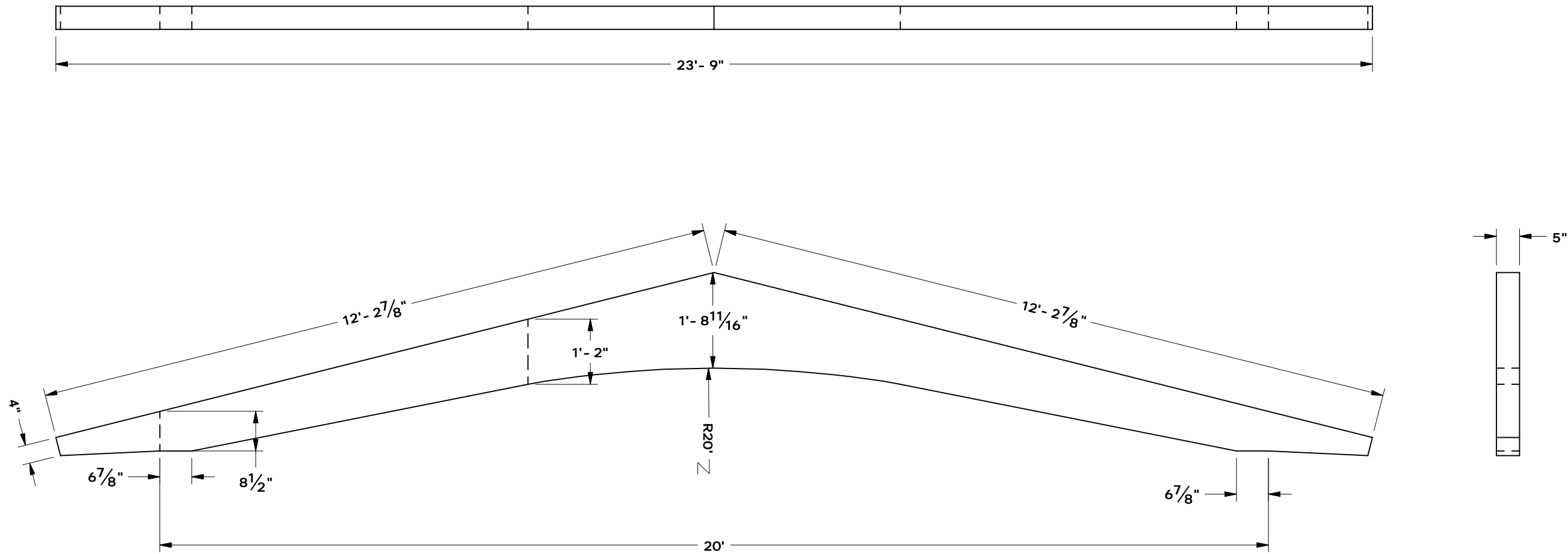
Negaunee Rivers Field
Negaunee, MI

SHEET

4.0



SYP Beam Detail



DRAWN BY:

llsam

DATE:

7/20/2017

JOB NO.:

W0019

REVISION:

BUILDING TYPE:

WLP24X28TM- P3

PROJECT NAME:

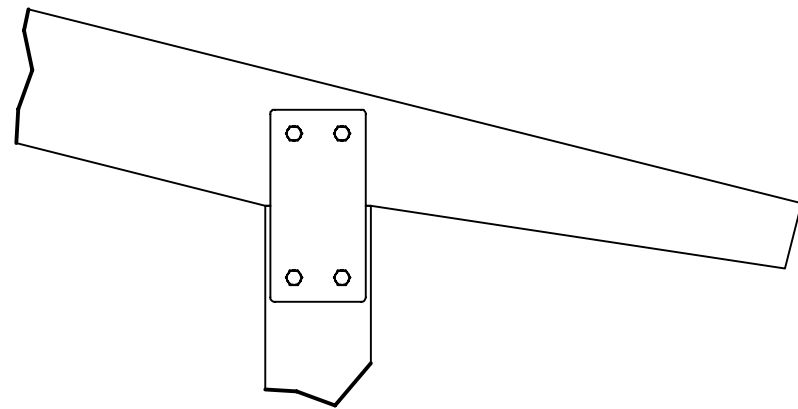
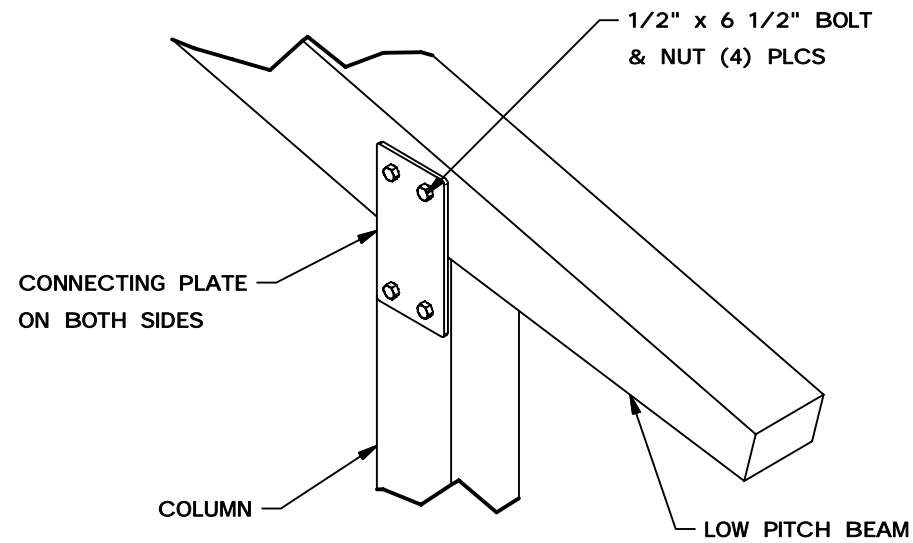
Negaunee Rivers Field
Negaunee, MI

SHEET

4.1

ALL CONNECTION PLATES WILL BE POWDER COATED BLACK

FROM 1/4" MATERIAL HRF



LOW PITCH BEAM CONNECTION
@ COLUMN

DETAIL C



1455 Lincoln Avenue
Holland, MI 49423
(800) 748-0985
(616) 396-0909
www.eng-woods.com

Frame Connections

DRAWN BY:

lisam

DATE:

4/19/2017

JOB NO.:

W0019

REVISION:

BUILDING TYPE:

WLP24X28TM- P3

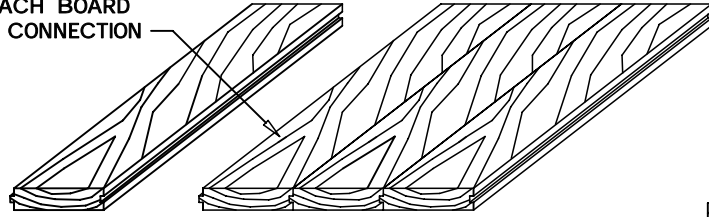
PROJECT NAME:

Negaunee Rivers Field
Negaunee, MI

SHEET

5.0

FASTEN WITH
(2) NAILS
IN EACH BOARD
AT EACH CONNECTION



T&G BOARD QTY
IS BASED ON
UTILIZATION OF
DROP.



SPLICING T&G BOARD
MITER ENDS OF T&G AT 90°
ALL ENDS OF BOARDS FALL ON
MEMBERS. FOLLOW T&G SECTION
AS NOTED.



TONGUE & GROOVE BOARD SECTION

NAILS NOT BY EWS

3/12

LOW PITCH BEAM

T&G DECK SECTION

ENGINEERED
WOOD
STRUCTURES

1455 Lincoln Avenue
Holland, MI 49423
(800) 748-0985
(616) 396-0909
www.eng-woods.com

T&G Layout

	18"	10"
10"	18"	18"
	18"	10"
10"	18"	18"
	18"	10"
10"	18"	18"
	18"	10"
10"	18"	18"
	18"	10"
10"	18"	18"
	18"	10"
10"	18"	18"
	18"	10"
10"	18"	18"
	18"	10"
10"	18"	18"
	18"	10"

DRAWN BY:

llsam

DATE:

2/6/2017

JOB NO.:

W0019

REVISION:

BUILDING TYPE:

WLP24X28TM- P3

PROJECT NAME:

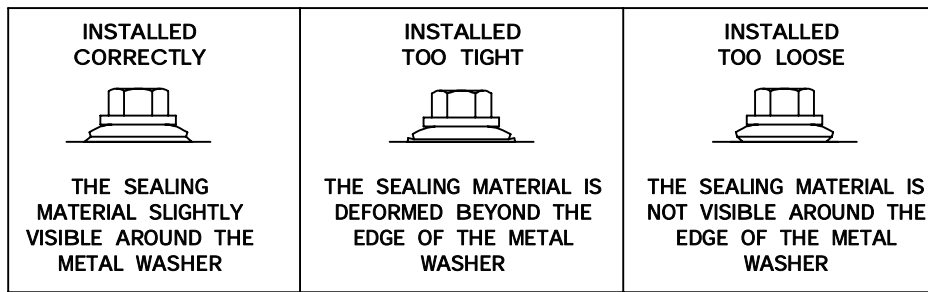
Negaunee Rivers Field
Negaunee, MI

SHEET

6.0

PRINTED ON :

\\ISS-SERVER02\Company\Engineering\Inventor\EWS Structures\Jobs\W0014\T&G instructions.lpt



THE DETAILS SHOWN ARE SUGGESTIONS OR GUIDELINES ON HOW TO ERECT THE METAL ROOFING SYSTEM. THE INFORMATION SHOWN IS ACCURATE, BUT IT IS NOT INTENDED TO COVER ALL INSTANCES, BUILDING REQUIREMENTS, DESIGNS OR CODES. CHANGES TO THE DETAILS MAY BE REQUIRED DUE TO FIELD CONDITIONS.

THE ERECTOR SHOULD THOROUGHLY FAMILIARIZE THEMSELVES WITH ALL INSTALLATION INSTRUCTION MATERIAL BEFORE STARTING WORK.

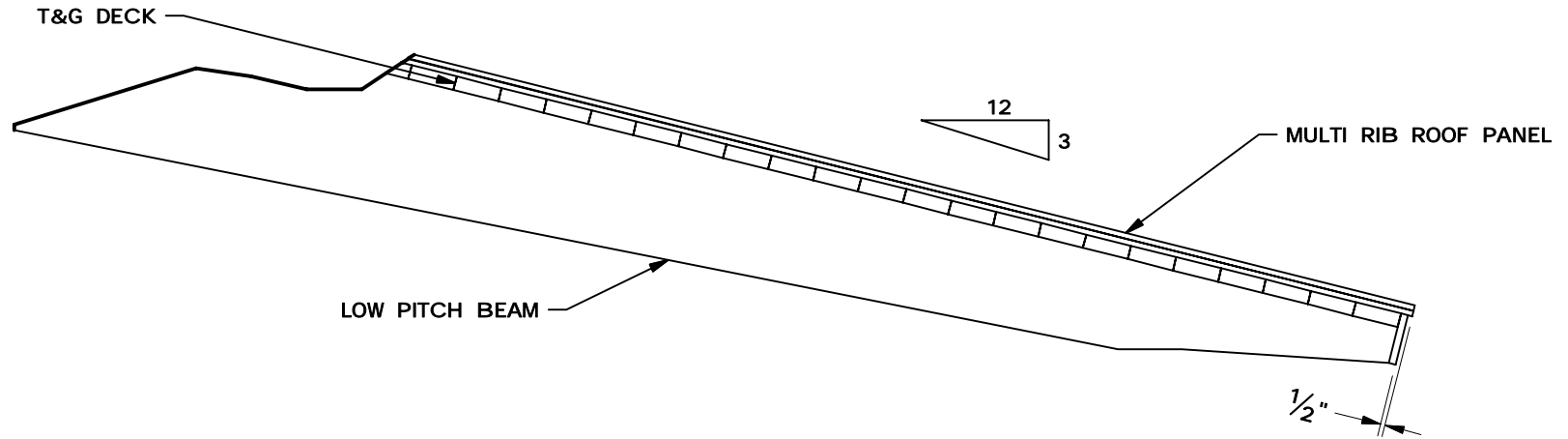
THE PANELS SHOULD BE INSTALLED PLUMB, STRAIGHT, AND ACCURATELY TO THE ADJACENT WORK.

ERECTORS SHALL BE RESPONSIBLE TO ENSURE THAT THE DETAILS MEET PARTICULAR BUILDING REQUIREMENTS AND TO ASSURE ADEQUATE WATER TIGHTNESS.

FOR THE BEST APPEARANCE ALL TRIM AND FLASHING SHALL BE INSTALLED TRUE, AND IN PROPER ALIGNMENT, WITH ALL EXPOSED FASTENERS EQUALLY SPACED.

SOME FIELD CUTTING AND/OR FITTING OF PANELS, TRIM AND FLASHING IS TO BE EXPECTED BY THE ERECTOR. MINOR FIELD CORRECTIONS ARE PART OF NORMAL ERECTION WORK.

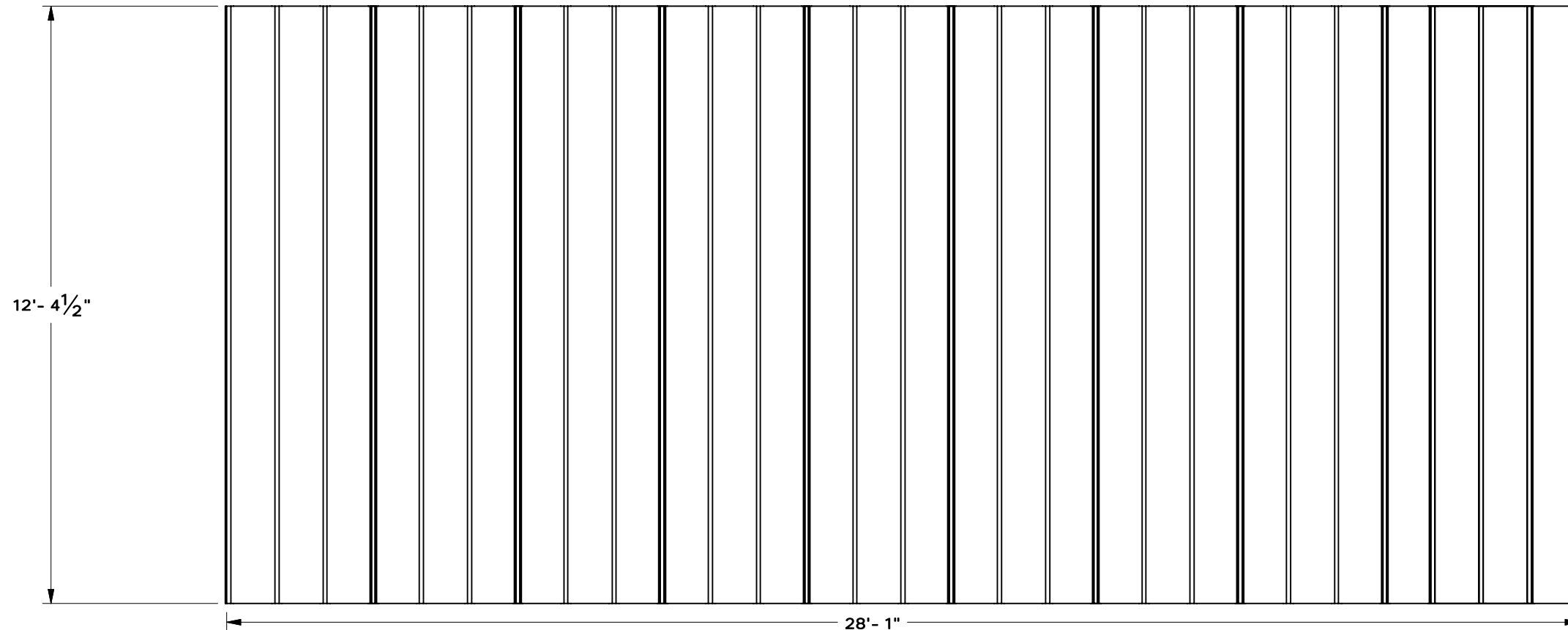
THE INSTALLATION SHALL BE PERFORMED BY EXPERIENCED METAL CRAFTSMEN AND WORKMANSHIP SHALL MEET THE BEST INDUSTRY STANDARDS.



MULTI RIB ROOF SECTION

ATTENTION INSTALLERS:
METAL SHAVINGS LEFT ON ROOF
WILL QUICKLY RUST AND STAIN
THE ROOF FINISH!

DRILLING OR INSTALLING ROOF
FASTENERS WILL CAUSE METAL
SHAVINGS. THESE SHAVINGS
MUST BE CAREFULLY REMOVED
AT THE END OF EACH DAY BY
EITHER SWEEPING OR BRUSHING
THE INSTALLED ROOF.



MULTI RIB ROOF LAYOUT



1455 Lincoln Avenue
Holland, MI 49423
(800) 748-0985
(616) 396-0909
www.eng-woods.com

Multi Rib Roof Layout

DRAWN BY:
llsam

DATE:

JOB NO.:
W0019

REVISION:

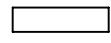
BUILDING TYPE:
WLP24X28TM- P3

PROJECT NAME:
Negaunee Rivers Field
Negaunee, MI

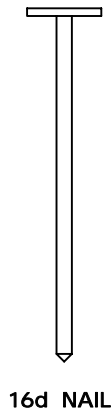
SHEET
7.0

ORDER OF INSTALLATION

 T&G BOARD
SEE DETAILS T- E1

 2"x8" FASCIA
SEE DETAIL T- E1

FASTENERS

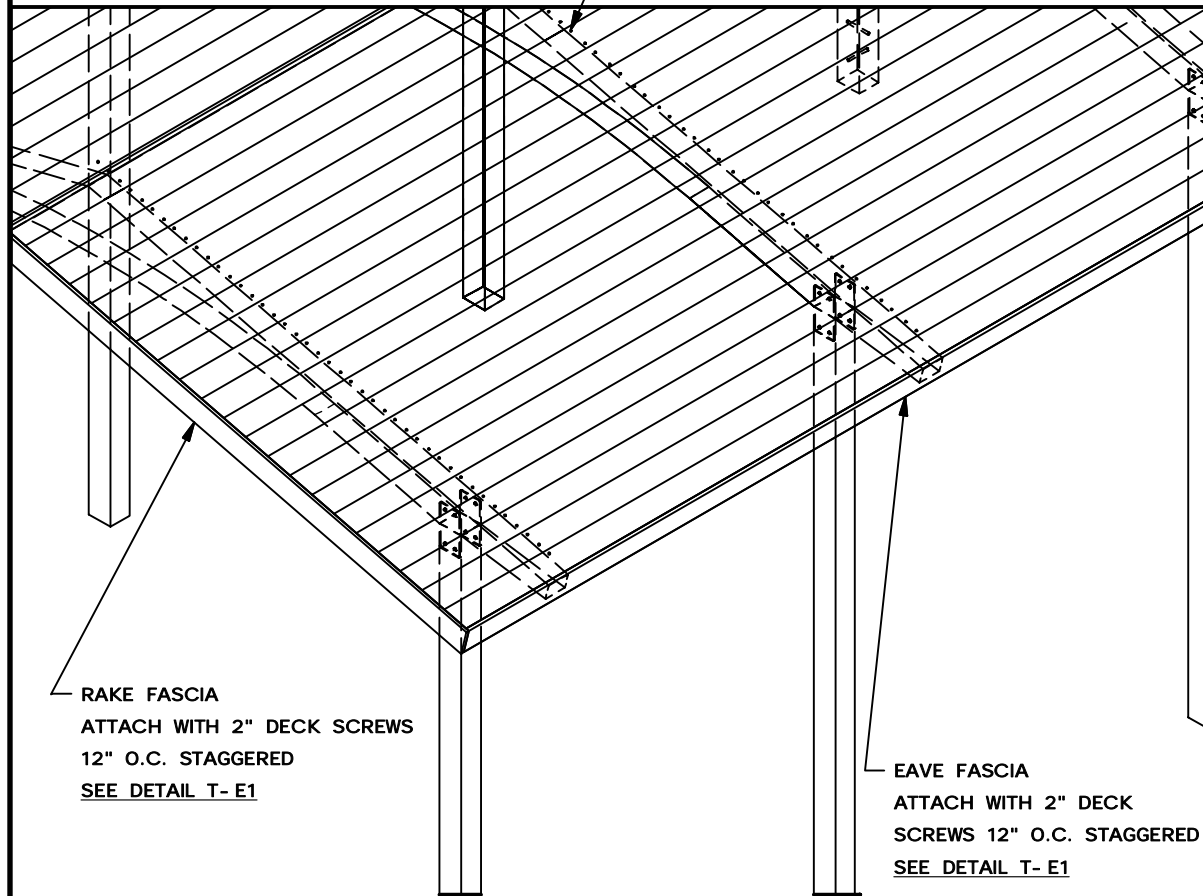


16d NAIL



2 1/2" DECK SCREWS

T&G ATTACHED WITH (2) 16d NAILS
PER BOARD ALONG RAFTER
EACH CONNECTION
(NAILS NOT SUPPLIED BY EWS)

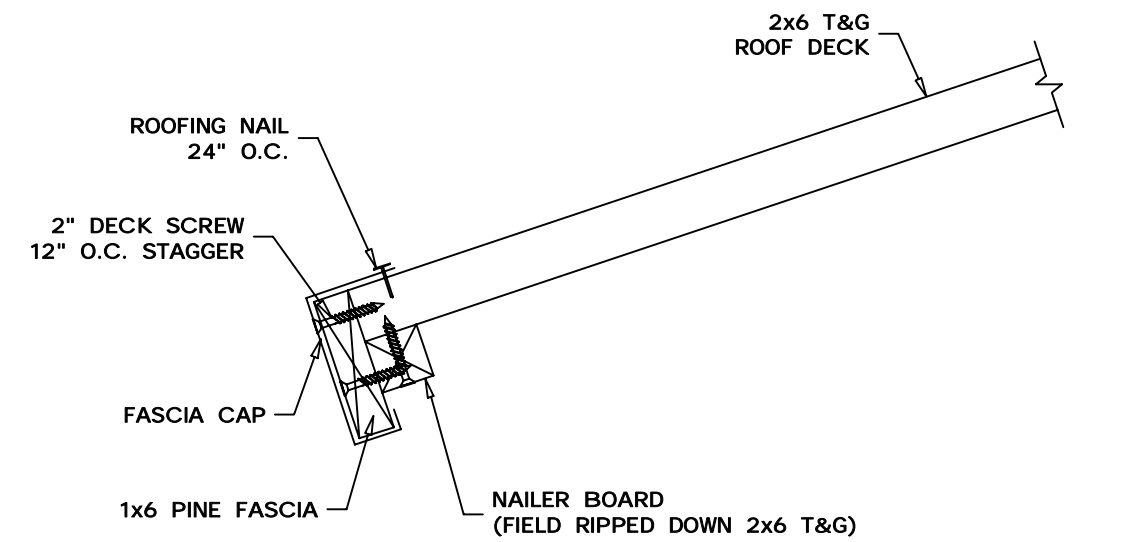


RAKE FASCIA
ATTACH WITH 2" DECK SCREWS
12" O.C. STAGGERED
SEE DETAIL T- E1

EAVE FASCIA
ATTACH WITH 2" DECK
SCREWS 12" O.C. STAGGERED
SEE DETAIL T- E1

T&G ROOF DECK LAYOUT

ROOF



ROOFING NAIL
24" O.C.

2" DECK SCREW
12" O.C. STAGGER

FASCIA CAP

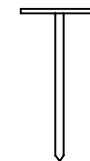
1x6 PINE FASCIA

NAILER BOARD
(FIELD RIPPED DOWN 2x6 T&G)

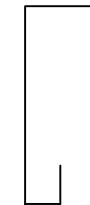
2x6 T&G
ROOF DECK



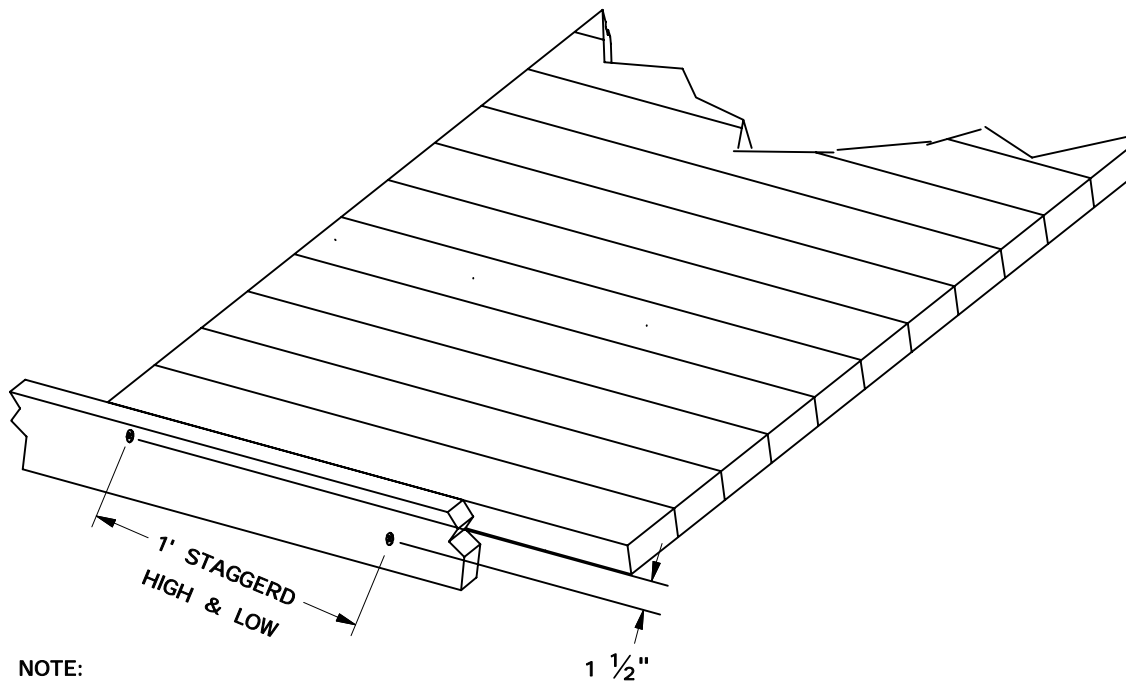
2 " DECK SCREW



ROOFING NAIL



FASCIA CAP
10' LONG



NOTE:
FASCIA CAP NOT SHOWN ON THIS VIEW

T&G ROOF DECKING

@ TIE BEAM

T- E1

ROOF DETAILS

DRAWN BY:

llsam

DATE:

4/19/2017

JOB NO.:

W0019

REVISION:

BUILDING TYPE:

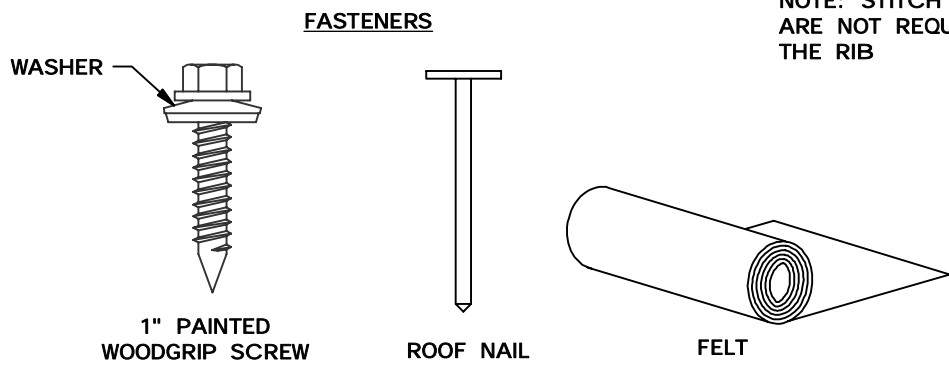
WLP24X28TM- P3

PROJECT NAME:

Negaunee Rivers Field
Negaunee, MI

SHEET

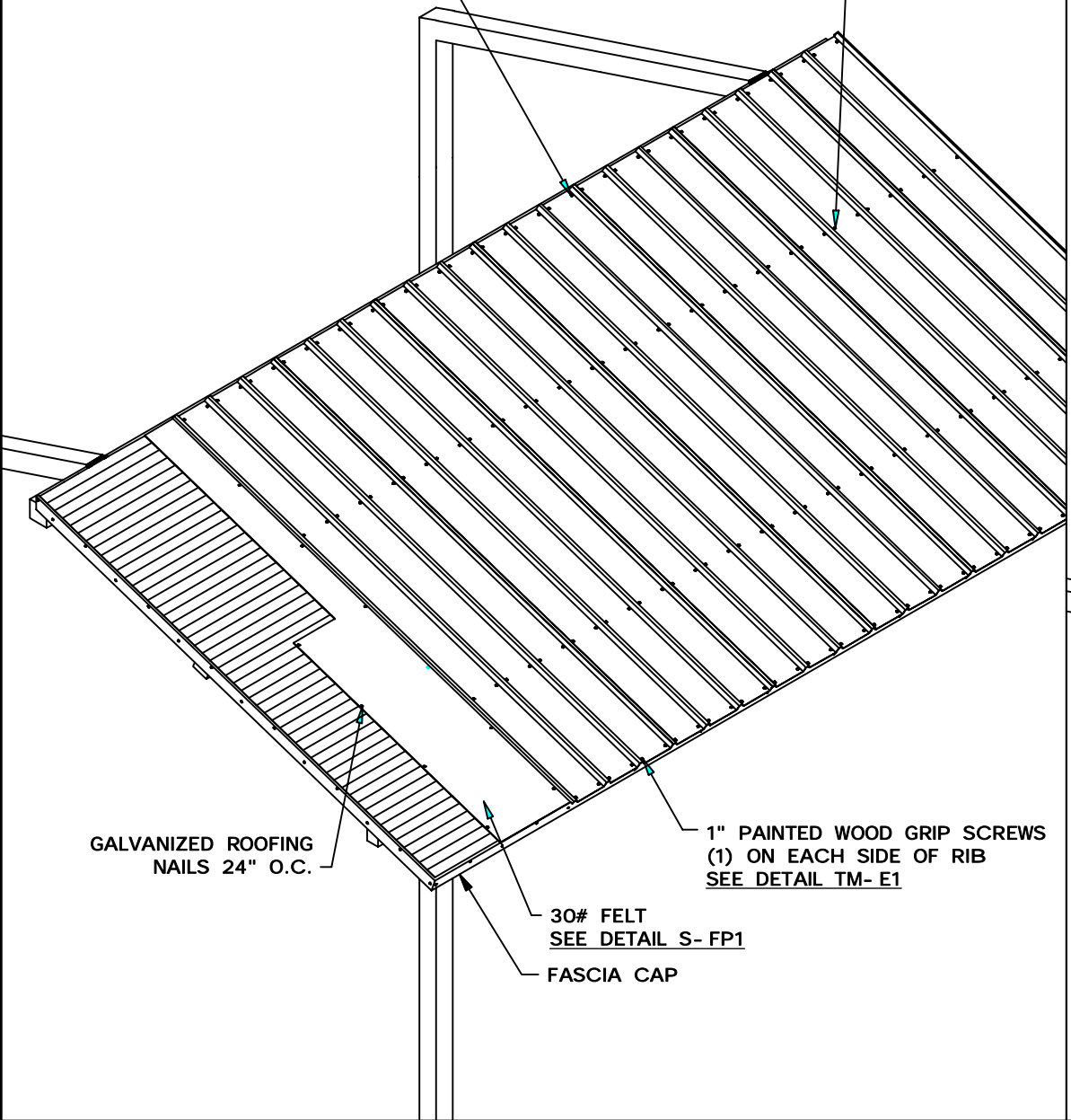
8.0



NOTE: STITCH OR LAP SCREWS ARE NOT REQUIRED ALONG THE RIB

1" PAINTED WOOD GRIP SCREW (1) ON EACH SIDE OF THE RIB ALONG RIDGE SEE DETAIL TM- G1

1" PAINTED WOOD GRIP SCREW (1) ON EACH SIDE OF RIB (48" O.C. MAX)



METAL ROOF PANEL LAYOUT

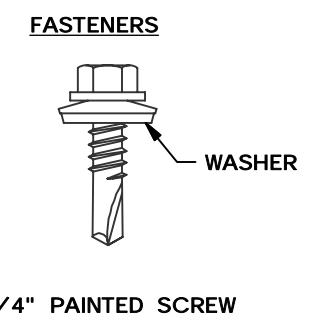
ROOF

ORDER OF INSTALLATION

[FACISA CAP 10' LONG SEE DETAIL TM- E1

[TOP TRIM 10' LONG SEE DETAIL TM- E1, TM- R1

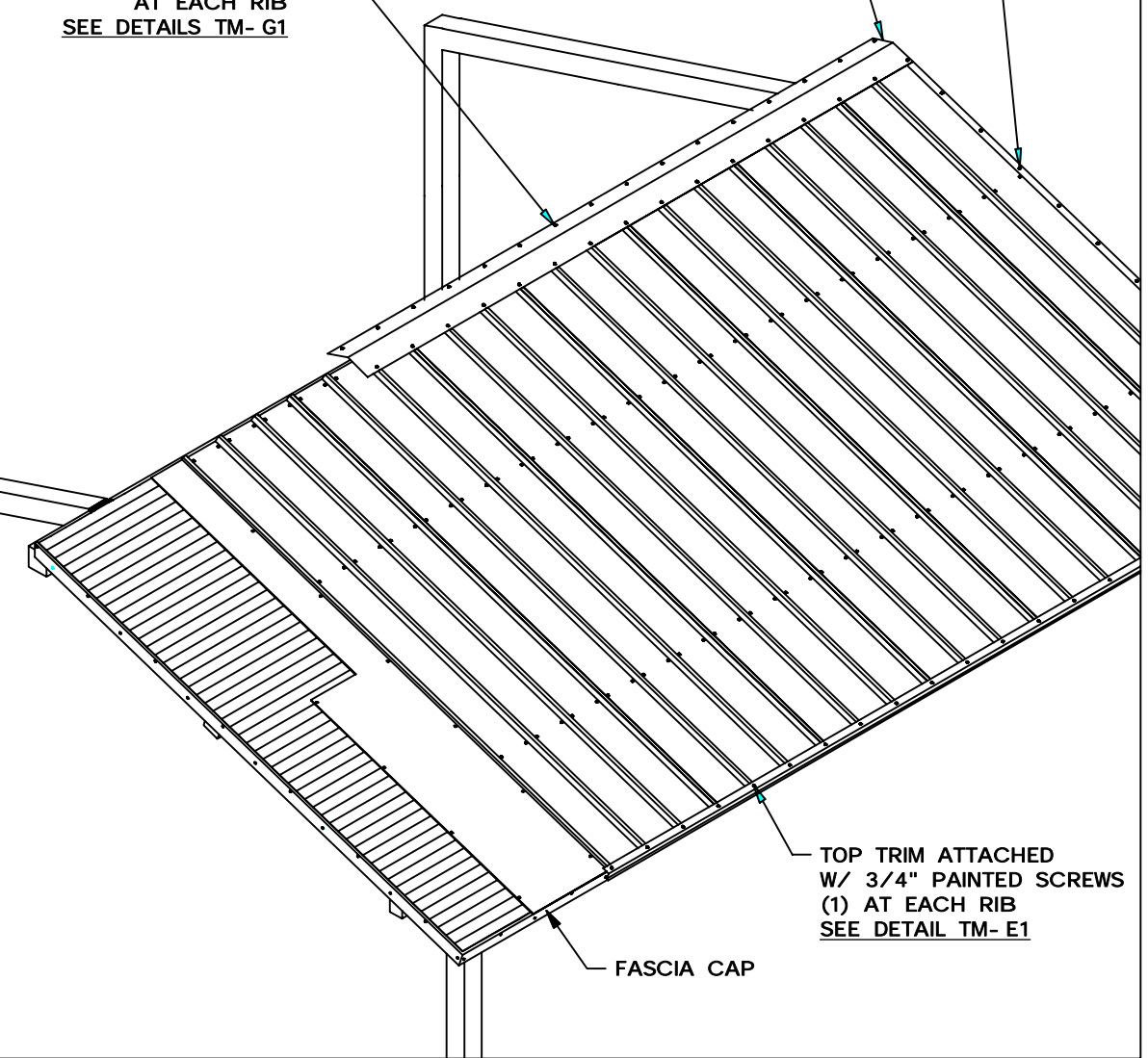
[RIDGE CAP 10' LONG SEE DETAIL TM- G1



TOP TRIM FASTENED W/ (1) 3/4" PAINTED SCREW 12" O.C. SEE DETAILS TM- R1

RIDGE CAP FASTENED W/ (1) 3/4" PAINTED SCREW AT EACH RIB SEE DETAILS TM- G1

TOP TRIM CORNER SEE DETAILS TM- R2



METAL ROOF PANEL LAYOUT

ROOF



1455 Lincoln Avenue
Holland, MI 49423
(800) 748-0985
(616) 396-0909
www.eng-woods.com

ROOF PANEL LAYOUT

DRAWN BY:

llsam

DATE:

JOB NO.:

W0019

REVISION:

BUILDING TYPE:

WLP24X28TM- P3

PROJECT NAME:

Negaunee Rivers Field
Negaunee, MI

SHEET

8.1

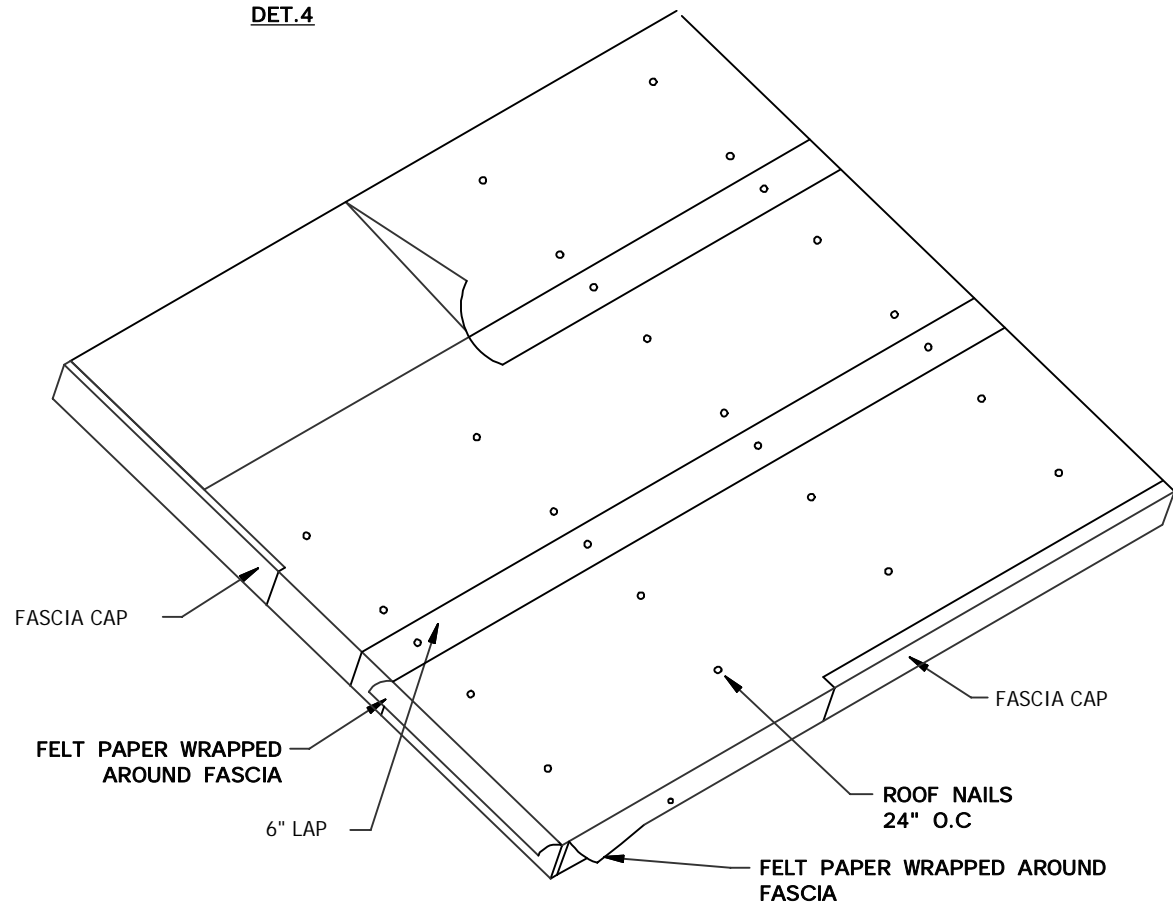
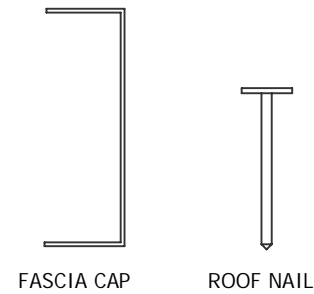
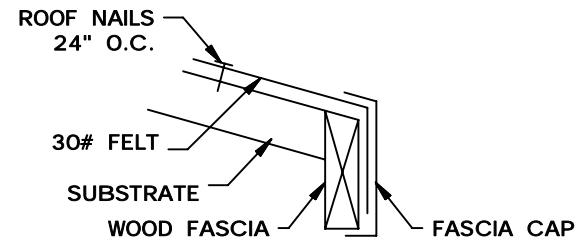
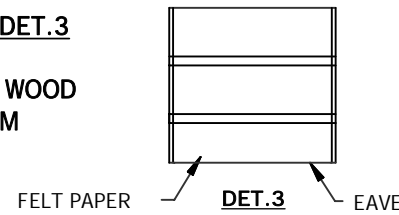
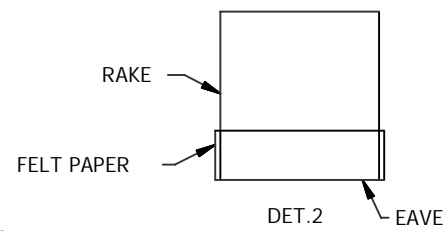
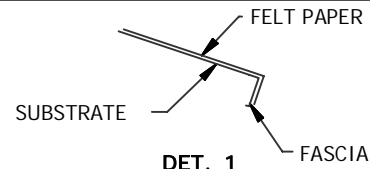
INSTALLATION OF FELT PAPER
 TO START MEASURE EAVE LENGTH AND CUT THE 30# FELT PAPER TO LENGTH + 6"

PLACE FELT ON ROOF AND WRAP THE PAPER OVER THE FASCIA SEE DET.1
 ALLOW THE FELT TO LAY OVER THE RAKE SEE DET.2

NAIL FELT DOWN WITH ROOFING NAILS 24" O.C.

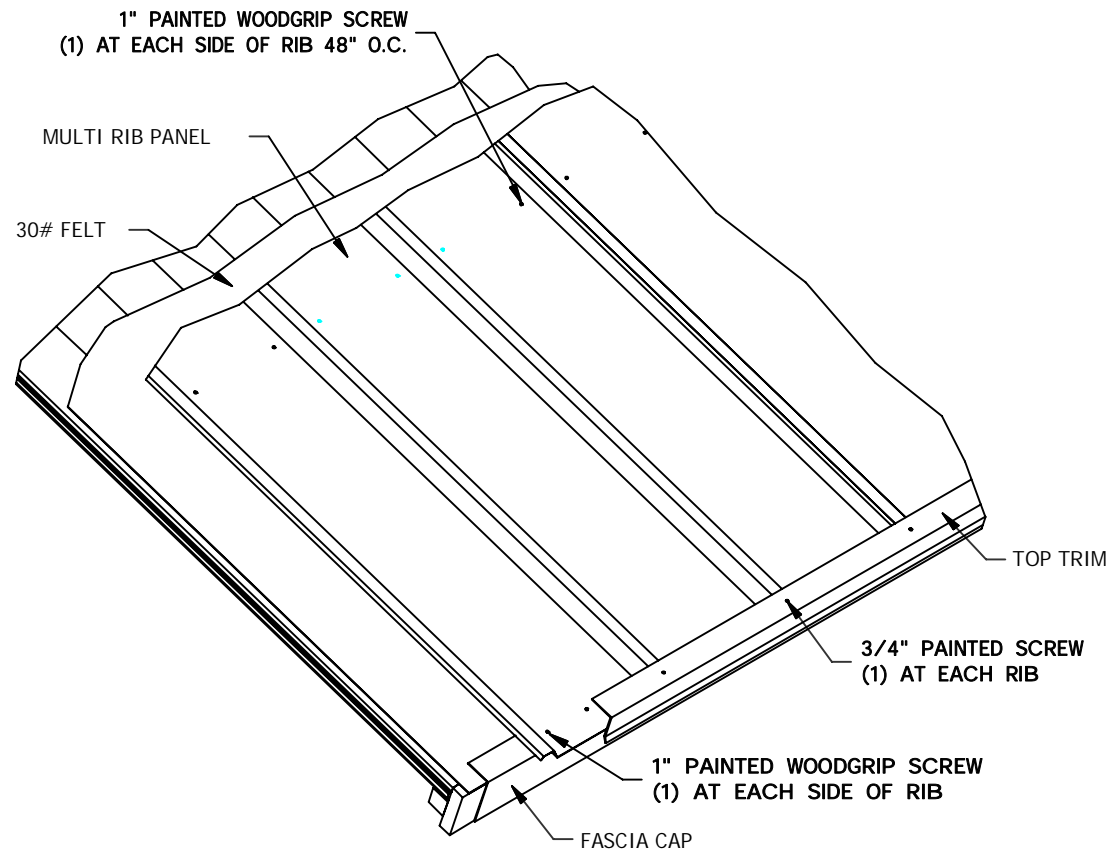
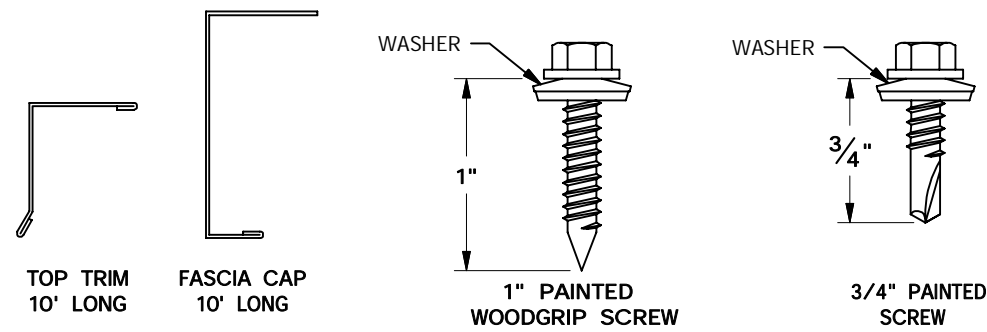
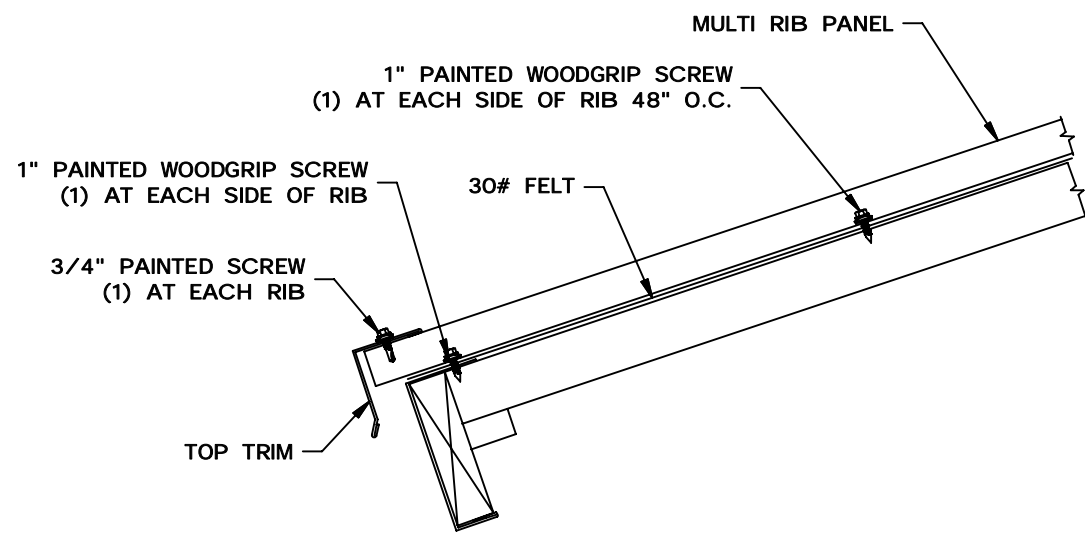
CONTINUE INSTALLING FELT UP THE ROOF SECTION LAPPING THE PREVIOUSLY INSTALLED PIECE 6" SEE DET.3

INSTALL THE FASCIA CAP BY SLIDING IT OVER THE WOOD FASCIA (FASTENERS USED TO ATTACH STARTER TRIM WILL SECURE FASCIA CAP)



FELT PAPER INSTALLATION

S- FP1



MULTI RIB OVER T&G ROOF DECKING

TM- E1



1455 Lincoln Avenue
 Holland, MI 49423
 (800) 748-0985
 (616) 396-0909
 www.eng-woods.com

Roof Connections

DRAWN BY:

Ilisam

DATE:

JOB NO.:

W0019

REVISION:

BUILDING TYPE:

WLP24X28TM- P3

PROJECT NAME:

Negaunee Rivers Field
 Negaunee, MI

SHEET

8.2

ROOF CONNECTION

DRAWN BY:

Ilisam

DATE:

JOB NO.:

W0019

REVISION:

BUILDING TYPE:

WLP24X28TM- P3

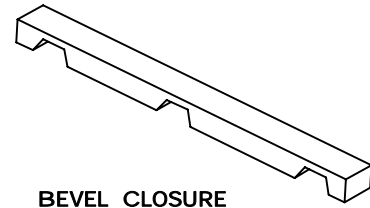
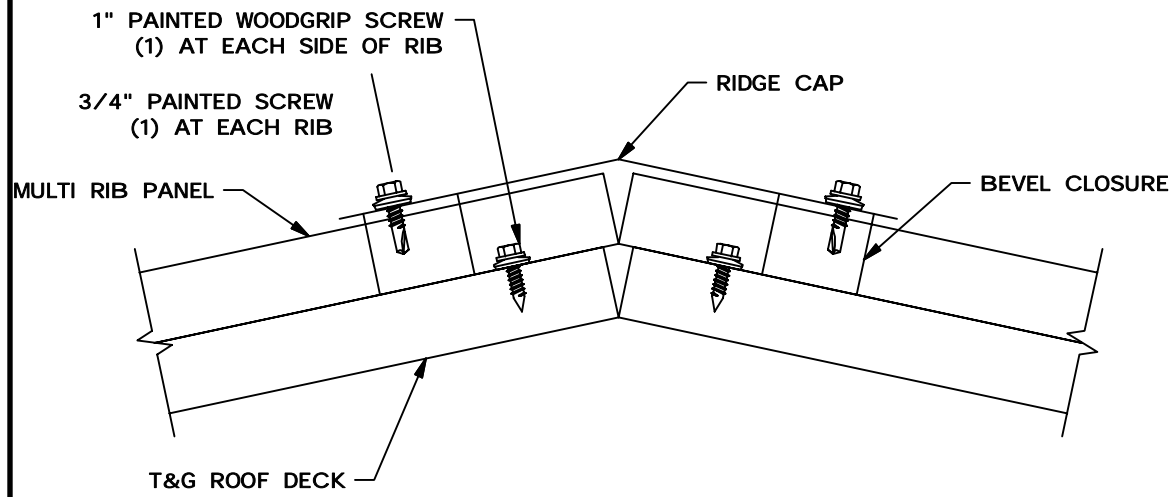
PROJECT NAME:

Negaunee Rivers Field
Negaunee, MI

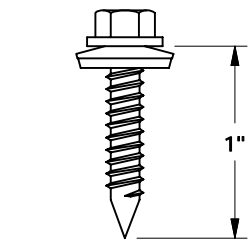
SHEET

8.3

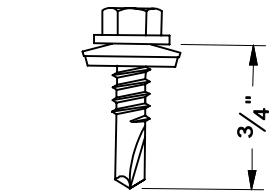
\\ISS-SERVER02\Company\Engineering\Inventor\EWS Structures\Standard Shelters\WLP\40X52\TM- P3\Assembly\WLP40x52.iam



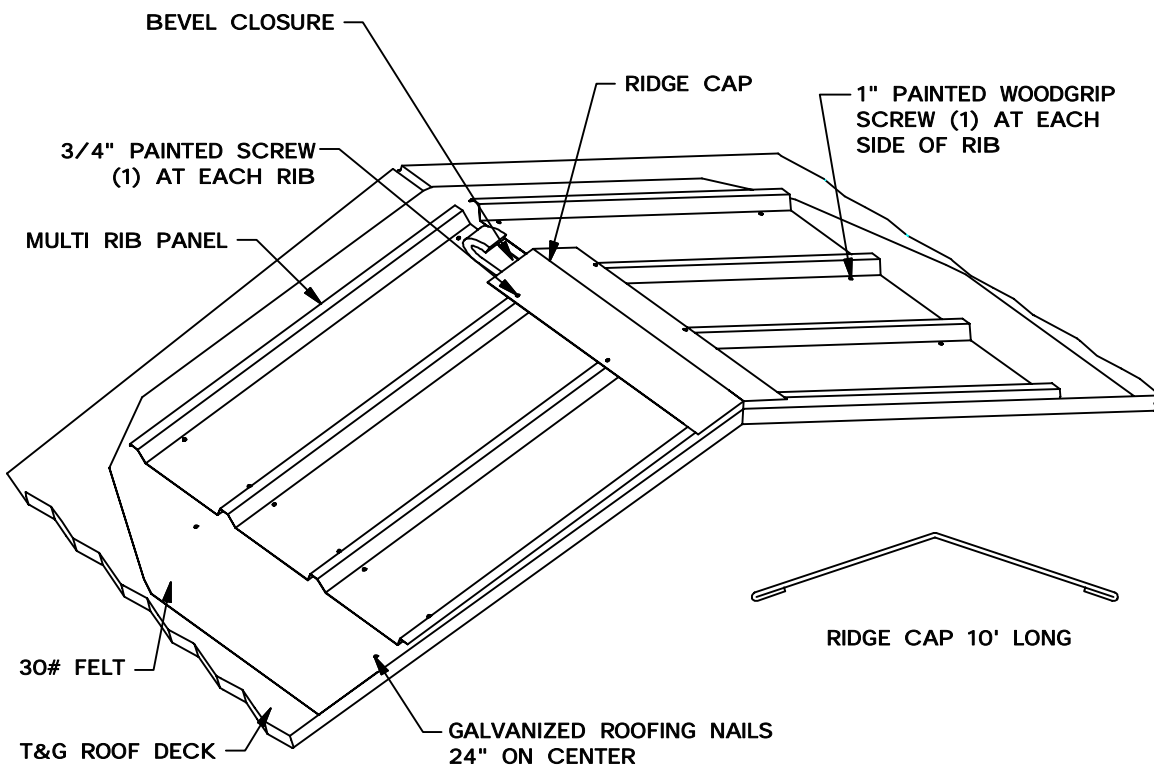
BEVEL CLOSURE



1" PAINTED WOODGRIP SCREW

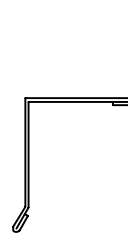
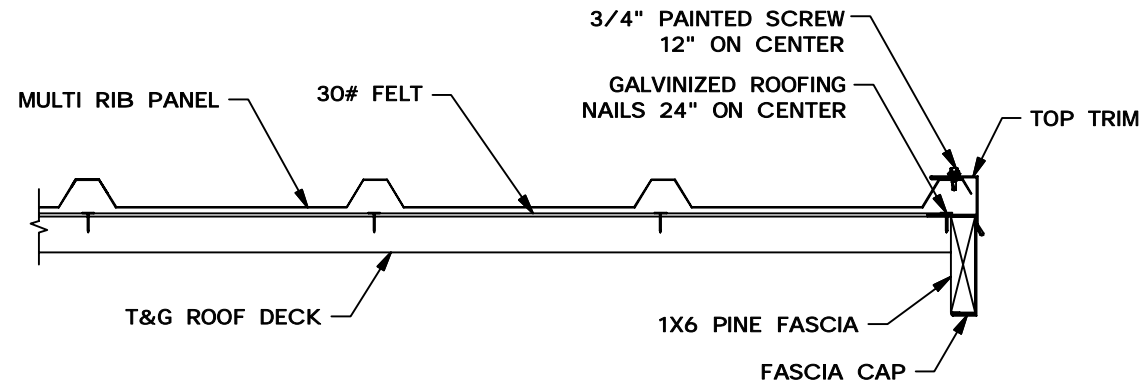


3/4" PAINTED SCREW

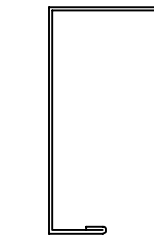


METAL OVER T&G ROOF DECK CONNECTION @ RIDGE

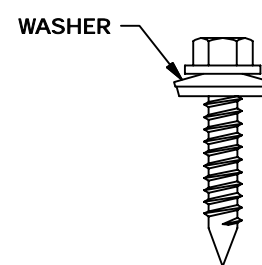
TM- G1



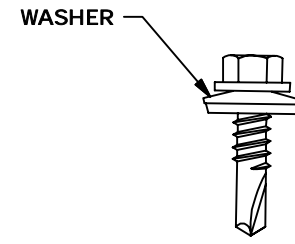
TOP TRIM 10' LONG



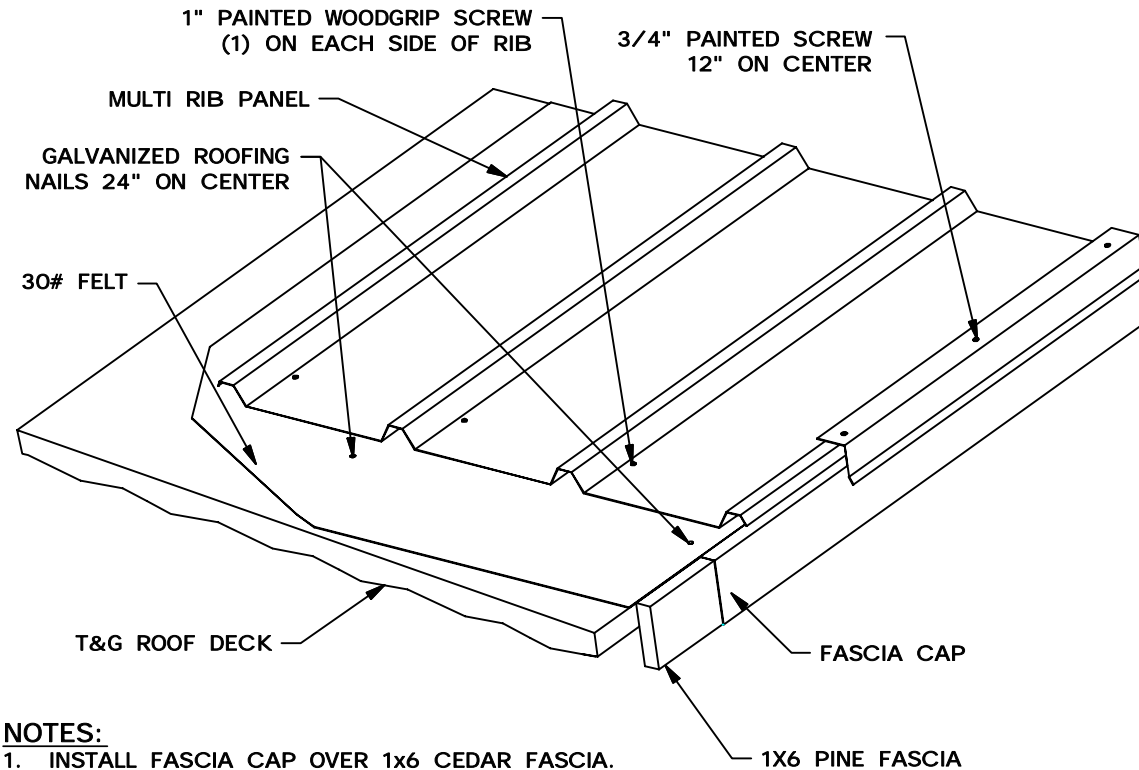
FASCIA CAP 10' LONG



1" PAINTED WOODGRIP SCREW



3/4" PAINTED SCREW



NOTES:

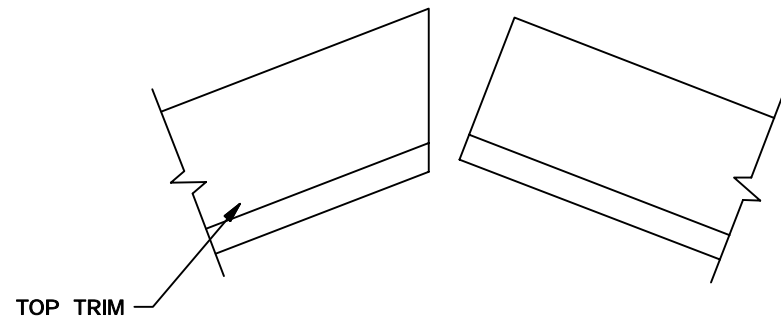
1. INSTALL FASCIA CAP OVER 1x6 CEDAR FASCIA.
2. INSTALL ROOF FELT OVER FASCIA CAP, USING ROOFING NAILS TO SECURE ROOF FELT AND FASCIA CAP TO T&G ROOF DECK.

METAL OVER T&G ROOF DECK CONNECTION DETAIL

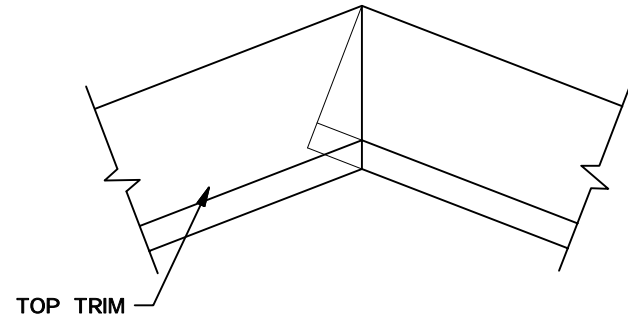
@ RAKE

TM- R1

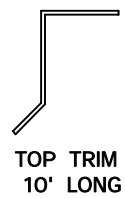
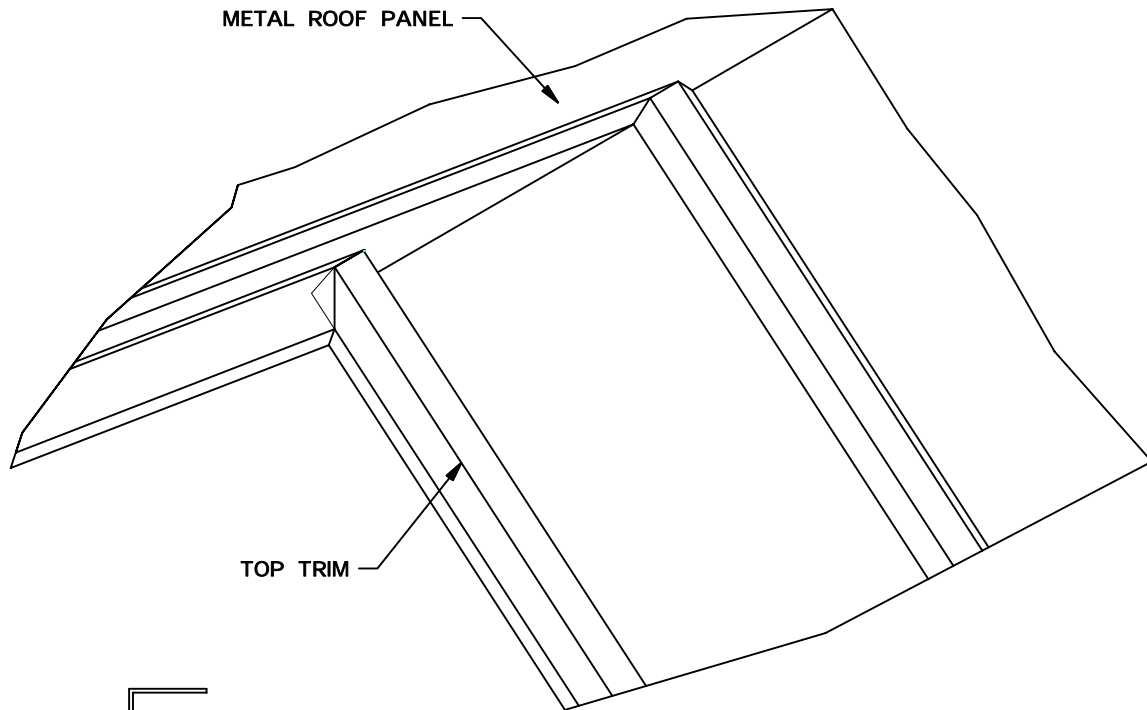
TO FINISH OFF THE END OF THE RIDGE, CUT THE TOP AS SHOWN



INSTALL TOP TRIM WITH MITERED END ON TOP



METAL ROOF PANEL



TOP TRIM
10' LONG

E ENGINEERED
WOOD
STRUCTURES

1455 Lincoln Avenue
Holland, MI 49423
(800) 748-0985
(616) 396-0909
www.eng-woods.com

Corner Trim

DRAWN BY:

llsam

DATE:

JOB NO.:

W0019

REVISION:

BUILDING TYPE:

WLP24X28TM- P3

PROJECT NAME:

Negaunee Rivers Field
Negaunee, MI

SHEET

8.4

INSTALLATION OF CORNER TRIM

TM- R2

\\SS-SERVER02\Company\Engineering\Inventor\EWS Structures\Standard Shelters\WLP\40X52\TM- P3\Assembly\WLP40x52.iam